



Assembly Instructions

Thank you for purchasing a Shelti product. All of us at Shelti want you to be completely satisfied with your Breakout Dome Hockey game, so feel free to contact us for help with the assembly of your product, Shelti parts, or other information you may require

Tools Required:

- 13 mm Wrench or Socket (Included)
- 5 mm Hex Wrench (Included)
- Phillips Head Screw Driver
- Level

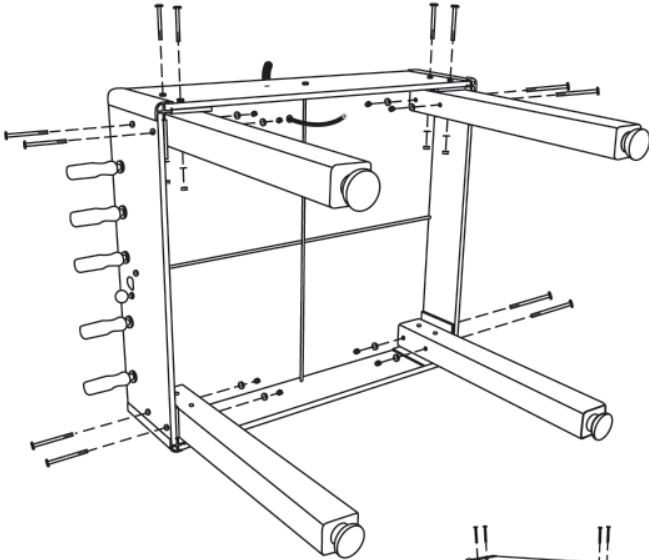
Step #1

- Lift dome hockey cabinet out of the box and lay it on its side on a smooth surface.
- Remove the legs from box and locate the accessory package

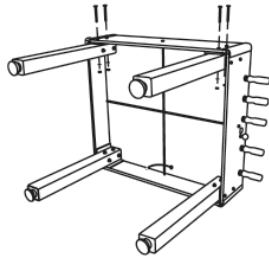
Contents	Part Number	Quantity
Dome Hockey Cabinet	EM-DPA-0	1
Universal Leg Assembly	EM-ULA-0	4
Accessory Package	EM-ASA-0	1
Assembly Instructions	210-0154-0	1
Accessory Package Contents	Part Number	Quantity
5½" Carriage Leg Bolt	301-0074-0	4
4¾" Carriage Leg Bolt	301-0073-0	4
Leg Washer	303-0035-0	8
Leg Nut	203-0023-0	8
Hex Wrench - 5 mm	205-0068-0	1
Hex Wrench - 4 mm	205-0057-0	1
13 mm Wrench		1
8 mm Wrench		1
Electronic Scoring Unit	210-0180-0	1
Power Supply Adaptor 6v	210-0183-0	1
Flat Head Screw - Phillips Head M3x14 mm	301-0044-0	2
9/16 Washer - M6	303-0026-0	2
Nut - M5	302-0016-0	2
Rounded Head Screw - Phillips Head M3x14mm	301-0045-0	1
Washer - M5	303-0027-0	1
Dome Hockey Puck (1" dia.)	201-0018-0	3

Step #2 - Attach the Legs

The narrower side of the leg should face the rod side of the cabinet. Align the holes of the bottom two legs and attach the enclosed carriage bolts, washers and nuts. The longer (5½") bolt attaches through the rod side of the apron and requires a 5mm hex wrench for the bolt and a 13mm wrench or socket for the nut. Tighten until bolt heads are snug with the table surface. Over tightening could damage the side walls. Align the top two legs and attach using the enclosed carriage bolts, washers and nuts as shown.



Carefully rotate table 180° on to it's opposite side. Attach remaining carriage bolts, washers and nuts as shown.

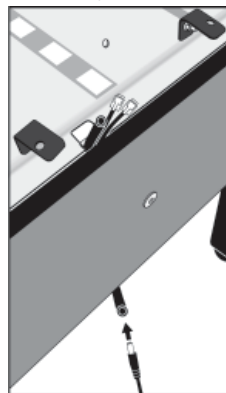


Step #3 - Flip Over Table

Carefully lift up and rotate table on to its legs. Do not allow weight of table to rock on any one or two legs alone. Attach remaining carriage bolts, washers and nuts as shown.

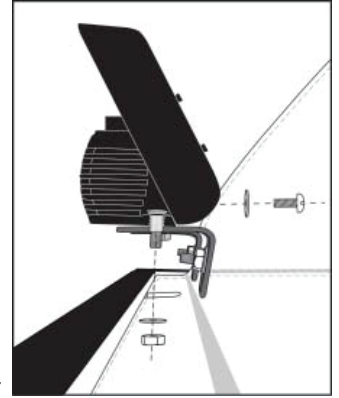
Step #4 - Thread the Power Cord (Optional)

Use the black rubber tube sticking out of the table to help you "snake" the AC power cord through the table. Push in the smaller end of the AC power cord into the rubber tube on the bottom of the table. Now you can carefully pull on the rubber tube through the top of the cabinet. The power cord should make it's way through the hole. This will allow you to plug in the scoring unit later without the cord hanging down the side of the cabinet.

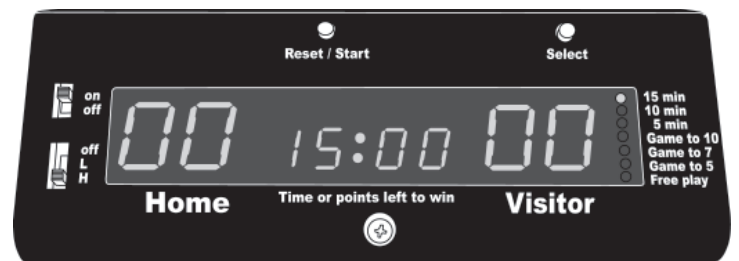
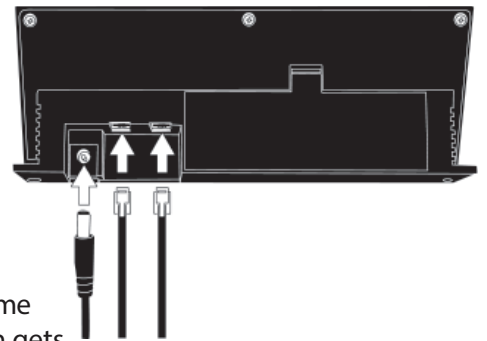


Step #5 - Attach the Electronic Scoring Unit

Bolt the scoring unit to the black brackets on the side of the dome using the (2) nuts, (2) washers and (2) bolts provided. Slip the bolt through the hole on the scoring unit and then through the black bracket as shown. Tighten with a phillips head screwdriver and crescent wrench. The scoring unit can also be attached with a screw and washer through the front of the unit. Slip the screw through the small hole in the dome from the inside and tighten.



Locate the two wires coming out of the hole located on the hinge side of the dome. Plug them into the scoring unit as shown. If you scoring during a game and the wrong team gets credit, simply switch positions of the two identical cords. The scoring unit can be powered either by using the AC adapter provided and plugging it into a standard 110 outlet or use (4) AA batteries (not included).



Step #6 - Operating the Scoring Unit

Turn the power switch to "on". Select desired game option. By default, it begins with the 15 minute game option. To change the game option, push the "select" button. There are seven total options including "Free play" which has no time limit or scoring limit. After choosing a game option, push the "Start" button to begin. To start over, press the "Reset / Start" button again. The volume switch has three settings: High, Low and Off.